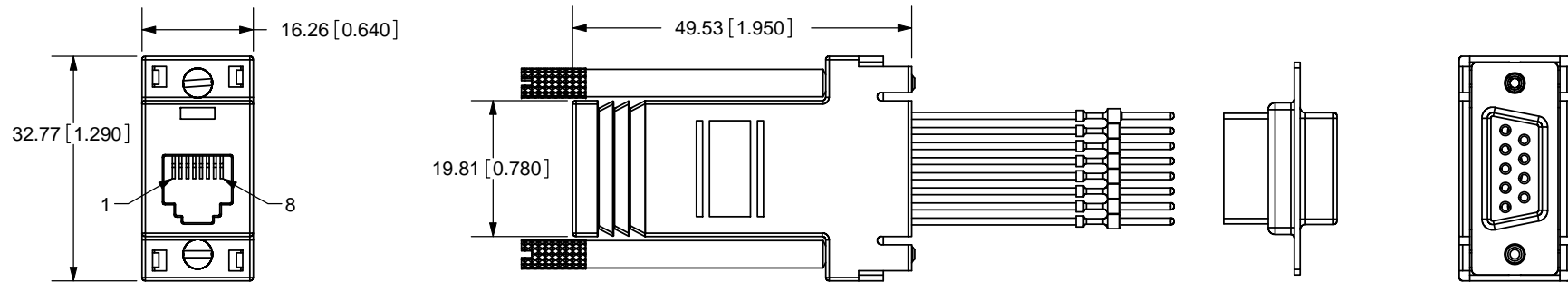
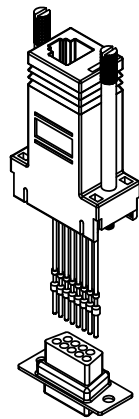


REV.	DESCRIPTION	DATE
A	NEW DRAWING	1/9/2008



WIRING CHART	
RJ45	WIRE COLOR
1	blue
2	orange
3	black
4	red
5	green
6	yellow
7	brown
8	white



SCALE: 1:2

TOLERANCE:
±0.3mm UNLESS OTHERWISE
SPECIFIED



20050 SW 112th Ave.
Tualatin, OR 97062
Phone: 503-612-2300
800-275-4899
Fax: 503-612-2383
Website: www.cui.com

	MATERIAL	PLATING
DB-09 CONNECTOR	Steel	Tin
RJ45 CONTACTS	Phosphor Bronze	Gold over Nickel
CRIMP CONTACT	Brass	Gold over Nickel
THUMBSCREW	N/A	
HOUSING	Thermoplastic	94V-0 Rated

TITLE: MODULAR ADAPTER, RJ45 TO DB-09 MALE		REV: A
PART NO. AMK-0000	UNITS: MM [INCHES]	
DRAWN BY: ZRJ	APPROVED BY:	SCALE: 1:1

PC FILE NAME:
AMK-0000

COPYRIGHT 2008 BY CUI INC.